

KINGDOM QUEST: Seeking the greatest treasure.

DAY 1

Small Starts, Big Kingdom

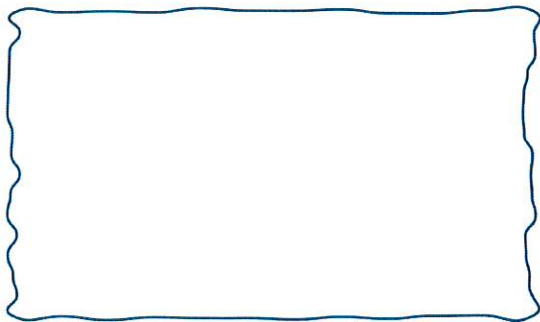
Read Matthew 13:31-32 NIrV

God's kingdom doesn't always start in big, loud ways. Sometimes it begins quietly. Jesus shows us that God cares about small things that grow. A kind word. A prayer. A good choice. These may seem tiny, but God uses them in powerful ways. You don't have to be famous or strong to live out God's kingdom. God works through your everyday choices. When you help someone, forgive someone, or tell the truth, you show what God's kingdom is like. God can take small beginnings and grow them into something beautiful. Keep seeking God's kingdom. God is doing more than you can see.

~~~~~

### On-Page Activity: Kingdom Growth Path

Draw a small seed at the bottom of the page and a tall plant at the top. Along the stem, write three small actions you can take this week that show God's kingdom.



DAY 2

## God Is Always Working

*Read Philippians 1:6 NIrV*

When you begin your Kingdom Quest, God begins working in your heart. Sometimes that work is easy to see. Other times it's slow and quiet. Even when you feel stuck, God is still working. Seeking God's kingdom means trusting that He is shaping you every day. Growth takes time, but God never gives up. Keep choosing what is right. Keep loving others. God is growing something good in you.

~~~~~

At-Home Activity:

With an adult, talk about something you have learned over time. Then talk about one way God is helping you grow in your faith.

Jesus shows us God's kingdom.



DAY 3

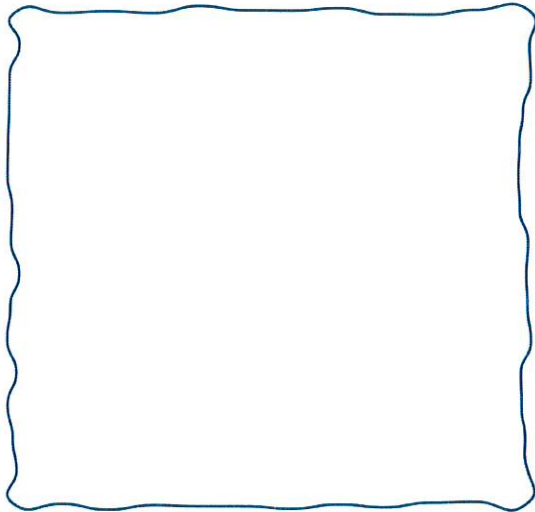
Growing God's Way

Read Colossians 2:6-7 NIrV

Seeking God's kingdom means staying connected to Jesus. Just like roots help a plant grow strong, Jesus helps your faith grow. When you pray and learn God's Word, you grow closer to Him. God's kingdom grows in your life one step at a time. Keep growing. God is guiding you on your Kingdom Quest.

Personal Reflection:

Write or draw one way you want to grow closer to God. Ask God to help you take the next step.



DAY 4

Showing the Kingdom

Read Matthew 5:16 NIrV

Where do you go? School? The store? Soccer practice? Did you know you can shine God's light at school, at the park, at practice, and at home? You can! Loving others and living like Jesus is part of your Kingdom Quest. Wherever you go, you can show people what God's kingdom is like. So start your quest, and shine the light of Jesus!

Pray this:

"God, help me to shine Your light so others can see what Your kingdom is like. In Jesus' name. Amen."



KINGDOM QUEST: Seeking the greatest treasure.



DAY 1

Found and Loved

Read: Romans 5:8 NIrV

Jesus made a way for you to be part of God's kingdom. Jesus lived a perfect life, died on the cross, and came back to life so you could be close to God forever. On your Kingdom Quest, remember that God's love came first. You belong because Jesus made the way.

When you have questions, keep following God. Don't stop. Don't give up. Ask God for help. He loves teaching you.

~~~~~  
**On-Page Activity:**

Fill in the blanks with your name.

But here is how God has shown his love for \_\_\_\_\_.

While we were still sinners, Christ died for \_\_\_\_\_.

## DAY 2

### You Belong

*Read John 1:12 NIrV*

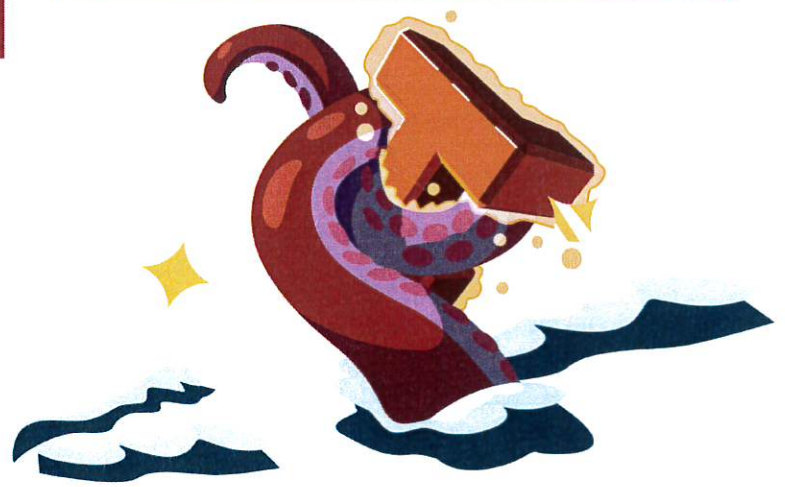
God calls you His child, and that means you are never alone. God cares for you, listens to your prayers, and helps you every day. He cheers for you when you do good things and forgives you when you make mistakes. When you remember that you are God's child, you can feel brave, loved, and special ... because you are!

~~~~~  
Think About It:

How does it feel to know you are part of God's family?

At-Home Activity:

Write "Child of God" with your name and tape it on your mirror.



DAY 3

Saved on Purpose

Read Ephesians 2:8-9 NIV

Have you ever gotten a gift you didn't earn? Maybe it was your birthday or someone surprised you just because they love you. That feels really good. The Bible tells us that God's love is like that. God saves us because He loves us, not because we did something amazing. We don't have to be perfect or do everything right. God's love is a gift. It's a free gift. Jesus made a way for us to be close to God. We can't earn God's love, and we don't have to. We just trust Jesus and say yes to Him.

~~~~~  
Fill in the blanks:

God's love is a \_\_\_\_\_.

I don't have to \_\_\_\_\_ God's love.

God's kingdom is a gift. You don't earn it. You receive it with joy and gratitude.

DAY 4

## Jesus Leads the Way

*Read John 14:6 NIV*

Have you ever gotten lost or didn't know which way to go? That can feel scary. It helps when someone shows you the right path. Jesus' friends felt confused too. They didn't know what would happen next. Jesus told them something important. He said, "I am the way." That means Jesus shows us how to get close to God. We don't have to figure it out by ourselves. Jesus made a way for us to be part of God's kingdom. We don't have to be perfect. We can just follow Jesus and trust Him to lead us.

~~~~~  
Circle one answer:

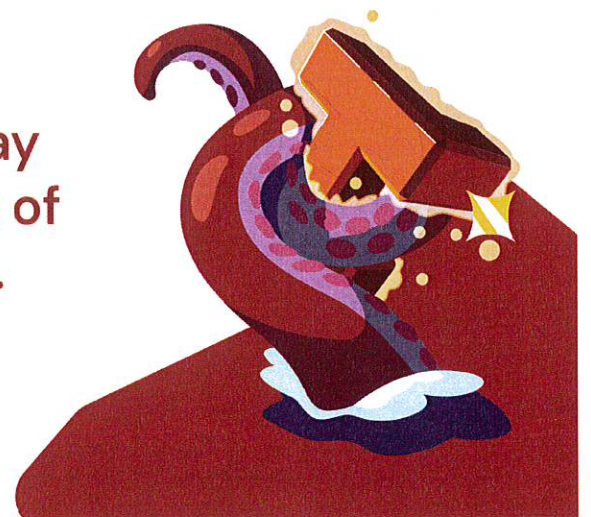
When I feel unsure, I can trust **Jesus / myself** to help me.

Prayer:

"Jesus, thank You for making a way for me to be part of God's kingdom. In Jesus' name. Amen."



Jesus made a way
for you to be part of
God's kingdom.



KINGDOM QUEST: Seeking the greatest treasure.

DAY 1

Everyone Is Welcome

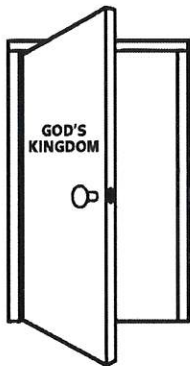
Read Romans 10:13 NIrV

Have you ever been invited to a birthday party or a special event? God has an invitation too, and it's for everyone.

Romans 10:13 says that everyone who calls on God will be saved. That means God doesn't leave anyone out. He doesn't care how old you are, where you're from, or what mistakes you've made. If you call on God and trust Him, He welcomes you into His family. God wants every person to know Him and be part of His kingdom. That includes you and your friends, your neighbors, and even people you haven't met yet!

Remember—God wants everyone to be part of His kingdom!

Write the names of people God wants in His kingdom. How many names can you write?



DAY 2

Loved Just as You Are

Read Romans 8:38-39 NIrV

Have you ever tried to shoot a bow and arrow to hit a target? It can be really hard to aim and land the arrow on the target! This is true about life too. Sometimes we mess up. We hurt people. We make unwise choices. We miss the target. Thankfully, we don't have to be good enough or do enough right things to have a relationship with God. God loves us so much! God sent Jesus to make a way for everyone to be forgiven, even when we mess up and do things that are wrong. When we put our faith in Jesus, He lives in us to help us follow Him.

At Home Activity: Target Practice

Head outside with an empty can and a rock. With an adult's permission, draw a big "X" on the side of the can. Stand a few feet away and try to throw the rock to hit the "X."



DAY 3

Heavy

Read Matthew 11:28-30 NIrV

Grab a sturdy bag, like a backpack, and head to the kitchen. Grab a few cans or other heavy items that won't break. Think back over your week, and name some moments that didn't go how you wanted or planned. For each example, put a can in your bag. Once it's full, put it on your back and take a walk around the house. Could you carry that heavy backpack around day after day?

Sometimes when bad things happen, we feel like we have to carry them around like a heavy backpack. We feel like we have failed, and we aren't good enough. But Jesus says, "Give me those heavy loads, and I will give you rest!" Jesus offers us forgiveness and acceptance as a gift. As we follow His command to "learn from me," we'll begin to see things the way He does. Jesus made a way for us to be close with God, and God wants everyone to be part of His kingdom.



DAY 4

No Matter What

Read Luke 1:37 NIrV

When things go wrong, what can you always count on? Your fingers! OK, maybe that wasn't all that funny. And also, not completely true. In real life, when something bad or scary or frustrating happens, there is Someone you can always count on: God! You can always put your trust in God! God loves you no matter what!

5-Finger Prayer:

Let's use our fingers to help us remember this. Point to each finger as you pray today.

Thumb – Thank God for what you have today.

2nd finger – Praise God for being awesome.

3rd finger – Say you're sorry for what you've done wrong.

4th finger – Pray for others.

5th finger – Pray for yourself.



God wants everyone to be part of His kingdom.

KINGDOM QUEST: Seeking the greatest treasure.



DAY 1

Worth More Than Anything

Read Psalm 73:25 NIV

Think about something you really love; maybe a favorite toy, game, or special place. Those things are fun, but they don't last forever. The Bible tells us that God is better than anything we could ever have.

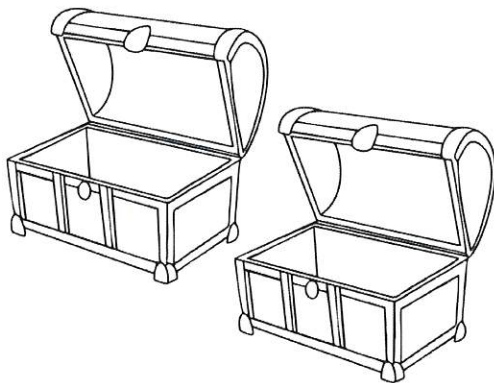
Psalm 73:25 reminds us that God is our greatest treasure. He is always with us, always listening, and always loving us. When we're happy, God is there. When we're sad or scared, God is there too.

Nothing and no one in the world can love us like God does. When we choose God first, our hearts can feel full, safe, and thankful.



On-page Activity:

Inside the bottom treasure chest, draw things you really love. Inside the top treasure chest, write "GOD."



DAY 2

First Things First

Read Matthew 6:33 NIV

When you get home from school, which would you decide to do first: play, do homework, or eat snacks? Jesus tells us something very important: God should come first. When we seek God's kingdom, it means we choose God's way. We try to be kind, honest, loving, and helpful. We think about what would make God happy before we think about ourselves. We spend time with God by praying, reading the Bible, and worshipping Him. Jesus promises that God knows what we need. We don't have to worry because God is always with us and is always watching over us.



Think About It:

What are some ways you can put God first today?





DAY 3

Be an Example

Read 1 Timothy 4:12 NIrV

Pretend you're a fitness coach leading a class. Teach your class by being an example and showing your pretend class how to do the exercises. Have an upbeat attitude, and encourage others to do their best. Have fun and get others involved. Use this fun activity to practice speaking, living, and loving others so they can see God's love. The way we live can show others the kingdom of God.



DAY 4

The Greatest Treasure

Read Mark 12:30 NIrV

People like to collect special things: coins, cards, toys, or prizes. We take care of treasures because they matter to us. The Bible tells us that God is the greatest treasure of all.

Mark 12:30 teaches us to love God with everything we have: our hearts, our minds, and our strength. That means loving God more than anything else and choosing His way every day.

God's kingdom is full of love, kindness, forgiveness, and joy. When we love God and live His way, we are showing others what His kingdom looks like. Nothing in the world is better or more important than knowing God and being part of His kingdom.



Prayer:

"Dear God, thank You for loving me and being my greatest treasure. Help me love You with all my heart and always put You first! In Jesus' name. Amen."



Loving God and His kingdom is most important.